

# Cased Mounted Axial Fans

# CM



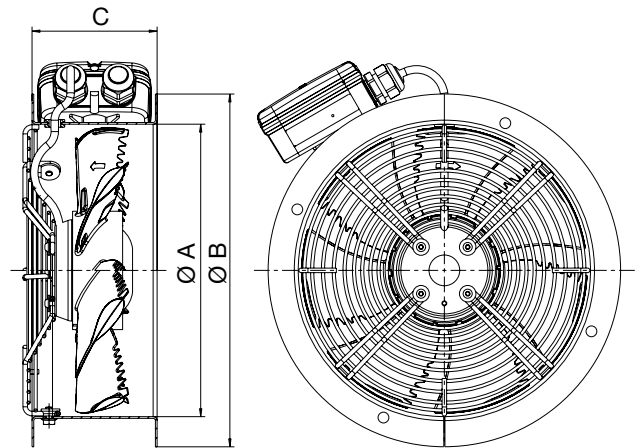
## Description

Lindab's cased mounted axial fans are ideal for the supply and extract of air to commercial and industrial applications. With its innovative impellor and unique acoustic characteristics, its ideal for low noise and high efficiency applications.

All fans are speed controllable by voltage reduction or frequency inverter and carry a IP54 protection on their external rotor motor design.

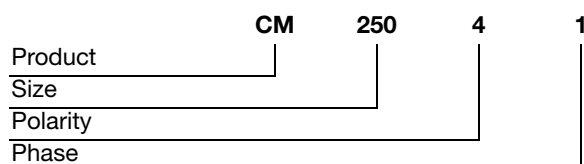
They are suitable for -40°C up to +70°C

## Dimensions



Product	A mm	B mm	C mm	m kg
CM250/4/1	257	310	110	4,00
CM315/4/3	316	382	135	7,00
CM315/4/1	316	382	135	7,00
CM350/4/3	359	421	135	7,00
CM350/4/1	359	421	145	7,00
CM400/4/3	400	480	155	8,30
CM400/4/1	400	480	155	8,30
CM450/4/3	451	530	160	14,2
CM450/4/1	451	530	160	14,2
CM500/4/3	503	590	166	16,8
CM500/4/1	503	590	166	16,8
CM560/4/3	559	650	210	29,7
CM560/4/1	559	650	210	29,7
CM630/4/3	634	720	235	35,8

## Ordering example

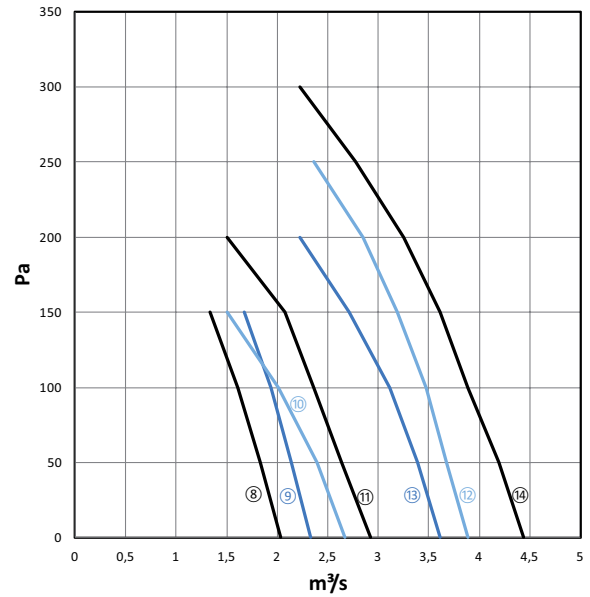
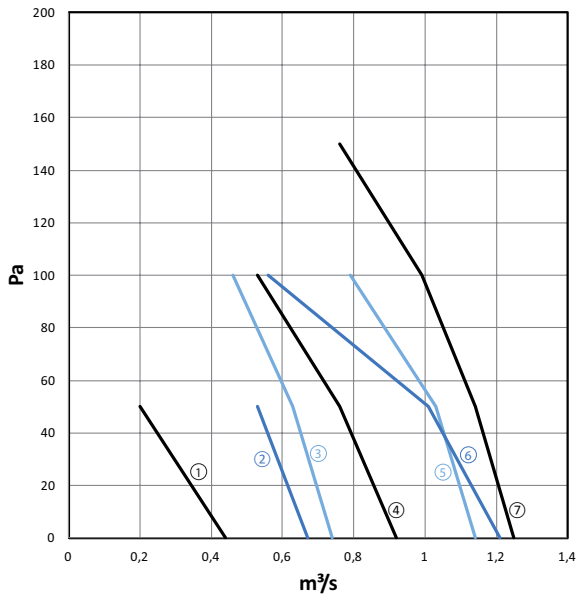


- 1
- 2
- 3
- 4
- 5
- 6
- 7
- 8
- 9
- 10
- 11
- 12
- 13
- 14
- 15
- 16
- 17
- 18

# Cased Mounted Axial Fans

# CM

## Technical data



Graph Ref.	Product	m³/s @ Pa						Motor W	Amps FLC	Speed RPM	
		0	50	100	150	200	250				300
1	CM250/4/1	0,44	0,2						0,05	0,24	1370
2	CM315/4/1	0,67	0,53						0,14	0,62	1360
3	CM315/4/3	0,74	0,63	0,46					0,12	0,68	1450
4	CM350/4/1	0,92	0,76	0,53					0,18	0,75	1260
5	CM350/4/3	1,14	1,03	0,79					0,14	0,4	1390
6	CM400/4/1	1,21	1,01	0,56					0,24	1,05	1340
7	CM400/4/3	1,25	1,14	0,99	0,76				0,17	0,46	1360
8	CM450/4/1	2,03	1,83	1,61	1,33				0,56	2,5	1320
9	CM450/4/3	2,33	2,14	1,94	1,67				0,54	1,1	1350
10	CM500/4/1	2,67	2,39	2,01	1,5				0,76	3,3	1230
11	CM500/4/3	2,92	2,64	2,36	2,08	1,5			0,84	1,45	1340
12	CM560/4/1	3,89	3,68	3,47	3,19	2,85	2,36		1,15	5	1330
13	CM560/4/3	3,61	3,39	3,11	2,71	2,22			1,05	2,2	1280
14	CM630/4/3	4,44	4,19	3,89	3,61	3,25	2,78	2,22	2,4	4,6	1320

Graph Ref.	Product	Sound Power Level (Breakout)								dB(A) @ 3m
		63	125	250	500	1K	2K	4K	8K	
1	CM250/4/1	56	63	56	54	53	53	49	41	37
2	CM315/4/1	70	70	65	60	58	59	55	47	45
3	CM315/4/3	75	70	63	60	61	63	59	51	47
4	CM350/4/1	67	70	67	65	58	60	53	45	46
5	CM350/4/3	74	66	61	63	65	63	59	53	48
6	CM400/4/1	72	73	66	63	60	59	54	48	46
7	CM400/4/3	67	67	61	60	60	59	54	48	47
8	CM450/4/1	67	69	70	63	63	63	59	53	49
9	CM450/4/3	72	70	65	65	65	65	59	53	49
10	CM500/4/1	70	75	67	63	67	68	60	52	51
11	CM500/4/3	74	72	66	66	68	68	63	56	52
12	CM560/4/1	79	78	74	74	77	77	73	66	63
13	CM560/4/3	84	78	76	74	75	74	70	63	57
14	CM630/4/3	85	80	77	75	78	77	70	66	63