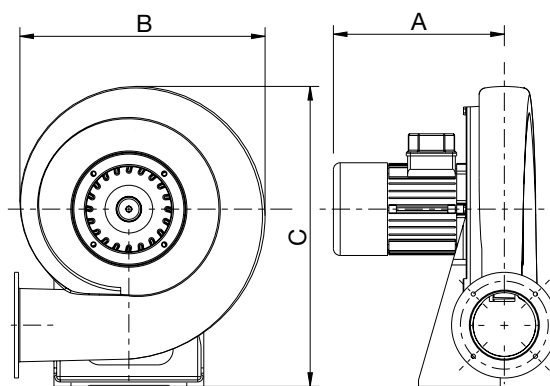


Centrifugal Fan

CFSX



Dimensions



Product	A mm	B mm	C mm	m kg
CFSX 26 T2 0,37kW	240	353	402	13,0
CFSX 27 T2 0,55kW	250	368	428	14,0
CFSX 28 T2 1,1kW	275	393	468	20,0
CFSX 31 T2 2,2kW	320	428	513	30,0

T= 400 volt
M = 230 volt

Description

Centrifugal medium pressure ATEX fan.

Rolling steel sheet housing.

Cast aluminium impeller.

Epoxy powder finishing coat.

Standard asynchronous squirrel-cage motor with IP-55 protection and Class F insulation and ATEX certified EEx-d. Manufactured with standard voltages: 230V 50Hz.

Standard position LG 270.

Designed for inline installation, they are suitable for: general ventilation in closed environments classified as ATEX zone 2.

Maximum working temperature from -20°C to 80°C.

In compliance with the 94/9/CE Directive. ATEX II2G built. Certified II3G with certified ATEX EEx-d II2G motor for areas 2 (gas) or 22 (dust).

ATEX for different categories available under request.

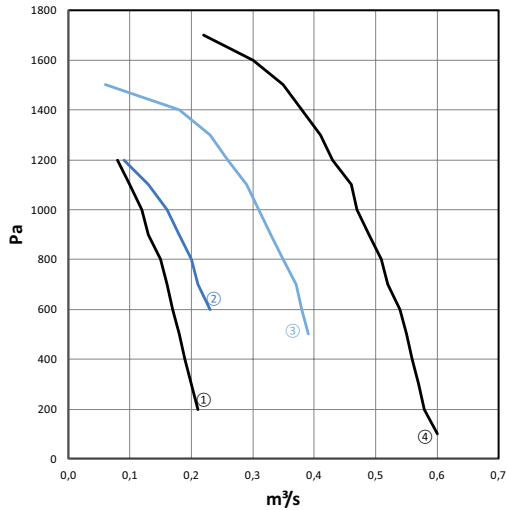
Ordering example

	CFSX	26	T	2	0,37 kW
Product					
Size					
Voltage					
Polarity					
Motor					

Centrifugal Fan

CFSX

Technical data



Graph Ref.	Product	m³/s @ Pa											
		100	200	300	400	500	600	700	800	900	1000	1100	1200
1	CFSX 26 T2 0,37kW		0,210	0,200	0,190	0,180	0,170	0,160	0,150	0,130	0,120	0,100	0,080
2	CFSX 27 T2 0,55kW						0,230	0,210	0,200	0,180	0,160	0,130	0,090
3	CFSX 28 T2 1,1kW					0,390	0,380	0,370	0,350	0,330	0,310	0,290	0,260
4	CFSX 31 T2 2,2kW	0,600	0,580	0,570	0,560	0,550	0,540	0,520	0,510	0,490	0,470	0,460	0,430

Graph Ref.	Product	m³/s @ Pa					Motor	Amps	Speed
		1300	1400	1500	1600	1700	W	FLC	RPM
1	CFSX 26 T2 0,37kW						0,37	0,95	2800
2	CFSX 27 T2 0,55kW						0,55	1,35	2800
3	CFSX 28 T2 1,1kW	0,230	0,180	0,060			1,10	2,55	2800
4	CFSX 31 T2 2,2kW	0,410	0,380	0,350	0,300	0,220	2,20	4,98	2800

Graph Ref.	Product	Sound Power Level (Breakout)								Power	dB(A)
		63	125	250	500	1K	2K	4K	8K	dB(A)	@ 3m
1	CFSX 26 T2 0,37kW	36	58	73	79	83	80	75	66	87	69
2	CFSX 27 T2 0,55kW	38	60	76	81	85	82	77	68	89	73
3	CFSX 28 T2 1,1kW	41	63	78	84	88	85	80	71	92	75
4	CFSX 31 T2 2,2kW	44	66	82	87	91	88	83	74	95	78