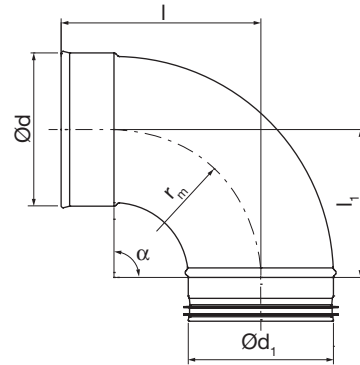


# Bend with male and female end

# BMU 90°



## Dimensions



## Description

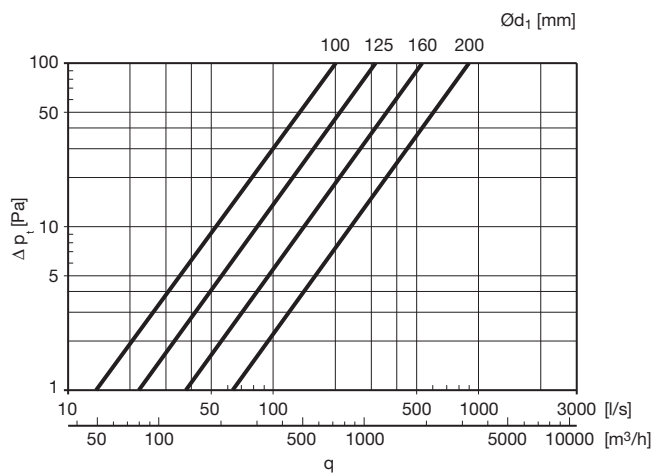
Pressed and seam welded bend with one male and one female end.

Has Click function at the male (Safe) end – has an open turned over edge.

Has normally not any Click function at the female end – hasn't any notches.

Ø 100–2000 can upon order be delivered with click function at the female end as well – i.e. with notches.

Ød <sub>1</sub> nom	Ød nom	l [mm]	l <sub>1</sub> [mm]	m kg
100	100	141	101	0,25
125	125	168	128	0,42
160	160	200	160	0,65
200	200	243	205	1,12



## Ordering example

