

# Axial with heat recovery

# ASHR



## Description

The single-room ventilator ASHR with its smooth finish fascia is an easy and effective solution for arranging of decentralized energy saving ventilation in separate rooms, cottages, public and commercial premises.

The fan is designed both for reversible mode with energy regeneration and for supply or extract mode with no regeneration. A hand held controller comes as part of the unit when supplied.

The high-tech ceramic energy accumulator with regeneration efficiency up to 90% is used for extract air heat energy recovery and supply air heating. Due to its cellular structure, the unique energy accumulator has larger air contact area and excellent heat conducting and accumulating properties. The square telescopic air ducts in the ASHR ventilators are made of polymer coated metal lined with insulating material and round air ducts are made of PVC plastic. The telescope length is adjustable to the wall thickness which makes mounting quick and easy. This product has an IP24 rating.

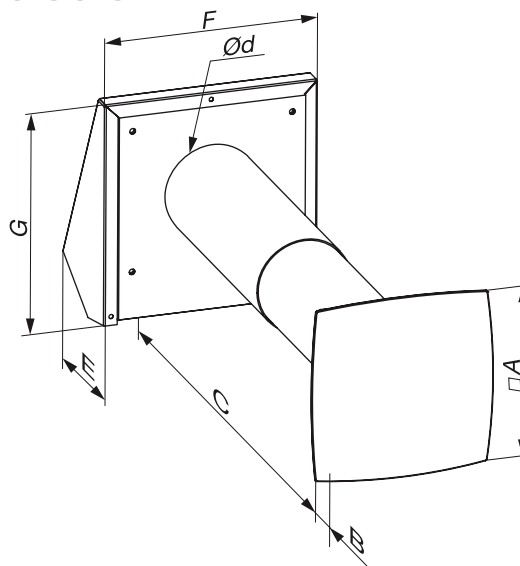
### Alternate Versions:

- ASHR-100 Comes with 100mm telescopic duct
- ASHR-130 Comes with 130mm telescopic duct
- ASHR-150 Comes with 150mm telescopic duct

## Ordering example

Product	ASHR	100
Dimension Ød		

## Dimensions



Product	Ød [mm]	A [mm]	B [mm]	C [mm]	E [mm]	F [mm]	G [mm]	m [kg]
ASHR-100	107	205	50	300-570	133	240	252	4,00
ASHR-130	132	240	80	250-470	130	280	300	3,63
ASHR-150	157	240	80	250-470	137	280	300	5,48

- 1
- 2
- 3
- 4
- 5
- 6
- 7
- 8
- 9
- 10
- 11
- 12
- 13
- 14
- 15
- 16
- 17
- 18

# Axial with heat recovery

# ASHR

## Technical data

Product	Frequency Hz	Voltage V	Electric Power Input W			Current A			r.p.m			Maximum air capacity m³/h			Sound pressure level at 3 m dB(A)			Max. operating temperature °C	SEC class	IP
			Speed 1	Speed 2	Speed 3	Speed 1	Speed 2	Speed 3	Speed 1	Speed 2	Speed 3	Speed 1	Speed 2	Speed 3	Speed 1	Speed 2	Speed 3			
ASHR-100	50/60	230	3,50	3,95	5,32	0,023	0,026	0,036	1190	1330	2420	7	15	24	22	25	33	-20/50	*	24
ASHR-130	50/60	230	3,93	4,39	5,10	0,023	0,026	0,032	745	1075	1670	10	20	30	18	23	28	-20/50	*	24
ASHR-150	50/60	230	3,80	3,96	5,61	0,024	0,026	0,039	610	800	1450	14	28	54	13	20	23	-20/50	*	24

(\*): Regulation 1254/2014 does not apply if electric power input < 30 W